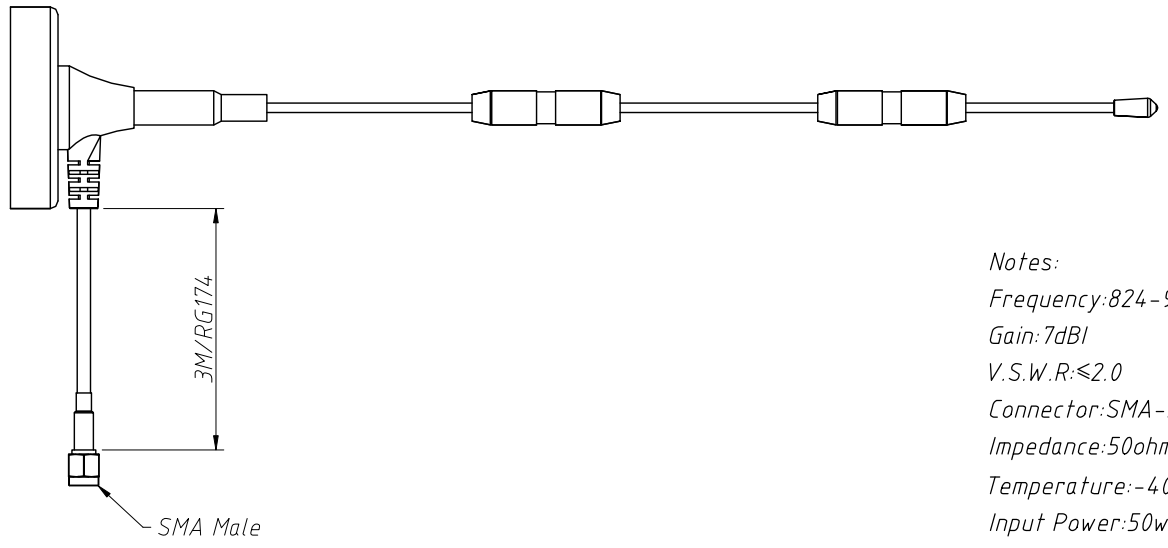
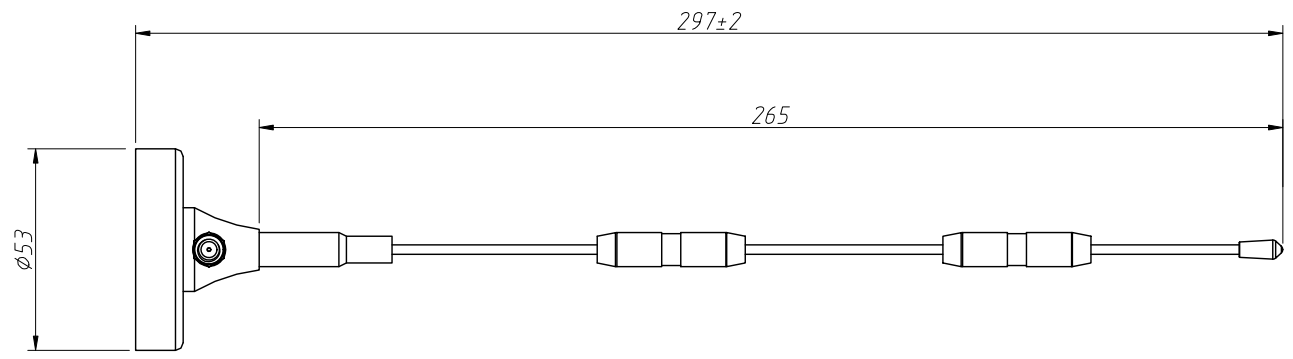


1  
RoHS Compliance

2	3	4	5	6	7	8
REV	SYM	Revision Record		Appr.	Date	
V0	KLS17135	New Version Release		Song	2025-02-11	



Notes:  
 Frequency:824-960/1710-1880MHz  
 Gain:7dBI  
 V.S.W.R:≤2.0  
 Connector:SMA-M  
 Impedance:50ohm  
 Temperature:-40°~70°  
 Input Power:50w  
 Weight:204g

ANGLE TOLERANCE	PROJECTION	Description:				
±3°		GSM/GPRS Antenna				
GENERAL TOLERANCE	UNITS	mm	KLS P/N:		L-KLS1-GSM/GPRS-CZ08-RG174-L3M	
.x ±0.30	SHEET SIZE	A4				
.xx ±0.20	Draw:	Song	2025-02-11	NingBo KLS ELECTRONIC CO.,L TD.		
.xxx ±0.10	Check:	Daniel	2025-02-11			